

Central Connecticut State University

1615 Stanley Street
New Britain, Connecticut 06050-4010

Name: _____
I.D.# _____
email: _____

Address: _____

Department of
Computer Electronics & Graphics Technology

Effective: _____

BS - COMPUTER ENGINEERING TECHNOLOGY

General Education

Study Area I - Arts and Humanities (9)

<input type="checkbox"/>	English Literature	3
<input type="checkbox"/>	_____	3
<input type="checkbox"/>	_____	3

Study Area II - Social Sciences (6)

<input type="checkbox"/>	History	3
<input type="checkbox"/>	_____	3

Study Area III - Behavioral Sciences (6)

<input type="checkbox"/>	Anthropology or Psychology or Sociology	3
<input type="checkbox"/>	_____	3

Study Area IV - Natural Scientific (8)

<input type="checkbox"/>	PHYS 121 -Gen Physics I or PHYS 125-Univ Physics I	4
<input type="checkbox"/>	PHYS 122 -Gen Physics II or PHYS 126-Univ Physics II	4

Skill Area I - Communication Skills (6)

<input type="checkbox"/>	ENG 110 - Freshman Composition*	3
<input type="checkbox"/>	COMM 140 -Public Speaking	3

Skill Area II - Mathematical (6-8)*

<input type="checkbox"/>	MATH 135 Applied Engineering Calculus I or MATH 152 - calculus I (4 credits)*	3
<input type="checkbox"/>	MATH 136 Applied Engineering Calculus II or MATH 221- Calculus II (4 credits)*	3

Skill Area III - Foreign Language

<input type="checkbox"/>	3 sequential years of one foreign language at the high school level	
<input type="checkbox"/>	passed the foreign language exam.	
<input type="checkbox"/>	Completed 112 or 114 foreign language courses	
<input type="checkbox"/>	completed above 112 or 114 foreign language course demonstration of native proficiency in a language other than English	

Skill Area IV - Univ. Requirements (2)

<input type="checkbox"/>	PE 144 Fitness/ Wellness	2
--------------------------	--------------------------	---

Total General Education 43

Major Requirements

Core Requirements (27 credits)

<input type="checkbox"/>	ENGR 150	3
<input type="checkbox"/>	ET 251 Appl. Engineering Mechanics I	3
<input type="checkbox"/>	ET 260 CAD & Int. Mfg. OR MFG 121	3
<input type="checkbox"/>	ETM 356 Materials Analysis	3
<input type="checkbox"/>	ET 357 Strength of Materials	3
<input type="checkbox"/>	STAT 104 Elementary Statistics*	3
<input type="checkbox"/>	ENG 403 Technical Writing	3
<input type="checkbox"/>	CS 213/ Applications of Comp. I / CS 151** Computer Science I	3
<input type="checkbox"/>	CS 214 / Applications of Comp. II / CS 152** Computer Science II	3

Major Req. Total 27

Six credit designated "international"

met: YES NO

First Year Experience requirement

met: YES NO

Graduation Assessment

met: YES NO

Electives (to complete the required 124)

1 free elective

Major Requirements (43 total credits)

<input type="checkbox"/>	CEGT 100 or FYE 101	Seminar or First Year Experience	1
<input type="checkbox"/>	CET 113	Intro to Information Processing	3
<input type="checkbox"/>	CET 201	Photonics Principles	3
<input type="checkbox"/>	CET 229	Computer Hardware Architecture	3
<input type="checkbox"/>	CET 236	Circuit Analysis	3
<input type="checkbox"/>	CET 249	Introduction to Networking	3
<input type="checkbox"/>	CET 323	Analog Circuits	3
<input type="checkbox"/>	CET 339	Computer System Administration	3
<input type="checkbox"/>	CET 349	Network Devices	3
<input type="checkbox"/>	CET 346	Signals and Systems	3
<input type="checkbox"/>	CET 363	Digital Circuits	3
<input type="checkbox"/>	CET 449	Advanced Networking	3
<input type="checkbox"/>	CET 453	Microprocessors	3
<input type="checkbox"/>	CET 466	Logic Design	3
<input type="checkbox"/>	CET 497	Senior Seminar	1
<input type="checkbox"/>	CET 498	Senior Project (Capstone)	2

Major Req. Total 43

Directed Electives (w/advisor) (9 credits)

<input type="checkbox"/>	CET 301	Fiber-Optic Communications	3
<input type="checkbox"/>	CET 479	Internet Technologies	3
<input type="checkbox"/>	CET 459	Network Security Fundamentals	3
<input type="checkbox"/>	CS 153**	Computer Science III	3

Directed Elective Total 9

General Education 43

Elective 2

TOTAL CREDITS 124

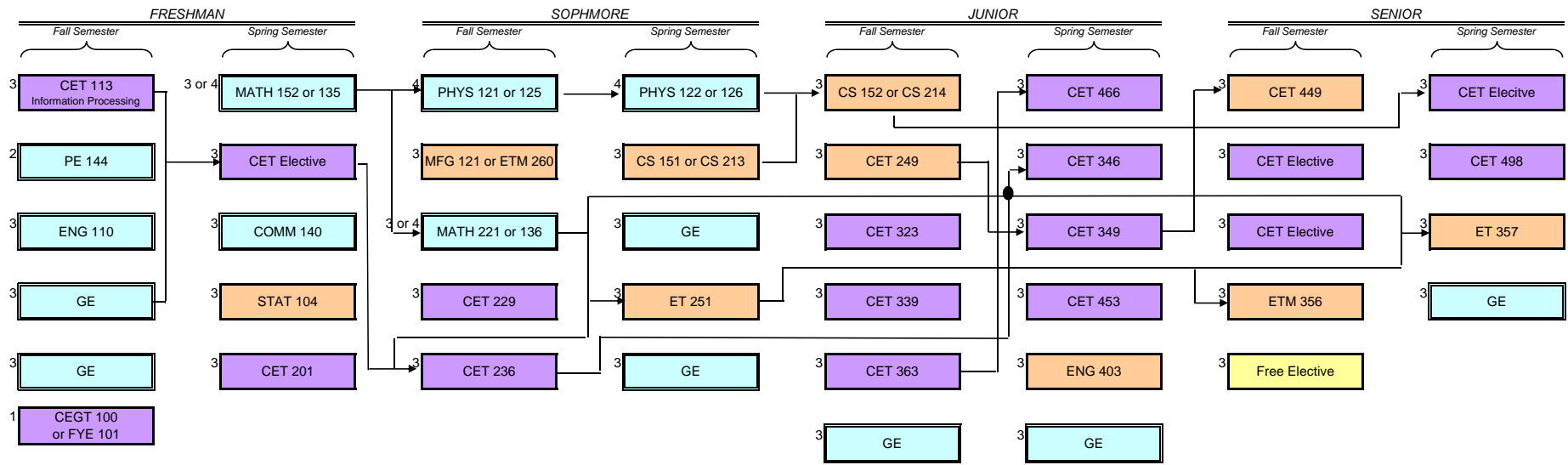
Double counting Restriction - Of the courses taken in the major and minor/concentration, a total of two courses may be counted to fulfill the Study Areas portion of the general education program.

RESIDENCY REQUIREMENTS: A minimum of 45 credits at CCSU with 15 credits in the Major and 9 credits in the Minor or Concentration (total of 24 in Major).

NOTE: Eligibility for high honors requires the student to earn 62 credits in residence at CCSU.

* Placement Exam required
***Math 152/221 required

Bachelor of Science in Computer Engineering Technology



CREDITS BY TERM

15 15/16 16/17 16 18 18 15 12

TOTAL CREDITS

124 Required. Math/CS/
and Physics courses 3 or 4 cr

General Education
May have req.

Major Course

CET Core

Free Elective

Certain requirements may apply to each course. Refer to catalog.
Prerequisite indicated