

Central Connecticut State University

1615 Stanley Street
New Britain, Connecticut 06050-4010

Department of
Manufacturing & Construction Management

Effective: August 15, 2007

Name: _____

I.D.# _____

Major: B.S.-Construction Management

BS - Construction Management

Entry: Fall Spring Transfer Cr.

General Education

Study Area I - Arts and Humanities (9)

<input type="checkbox"/>	PHIL 240	3
<input type="checkbox"/>	Literature Elective	3
<input type="checkbox"/>	Arts/Humanities Elective	3

Study Area II - Social Sciences (9)

<input type="checkbox"/>	ECON 200	3
<input type="checkbox"/>	ECON 201	3
<input type="checkbox"/>	History Elective	3

Study Area III - Behavioral Sciences (6)

<input type="checkbox"/>	PSY 112	3
<input type="checkbox"/>	Behavioral Science Elective	3

Study Area IV - Natural Scientific (8)

<input type="checkbox"/>	CHEM 161, w/lab CHEM 162	4
<input type="checkbox"/>	PHYS 121 w/lab	4

Skill Area I - Communication Skills (6)

<input type="checkbox"/>	ENG 110*	3
<input type="checkbox"/>	COMM 140	3

Skill Area II - Mathematical (6)

<input type="checkbox"/>	STAT 200*	3
<input type="checkbox"/>	MATH 115 *	3

Skill Area III - Foreign Language (0-3)

<input type="checkbox"/>	3 sequential years of one foreign language at the high school level
<input type="checkbox"/>	Passed the foreign language exam
<input type="checkbox"/>	Completed 112 or 114 foreign language courses
<input type="checkbox"/>	Completed above 112 or 114 foreign language course
<input type="checkbox"/>	Demonstration of native proficiency in a language other than English

Skill Area IV - Univ. Requirements (2-3)

<input type="checkbox"/>	PE 144	2
<input type="checkbox"/>		

Major Requirements

Core Requirements (21 credits)

<input type="checkbox"/>	AC 211	Intro-Financial Accounting	3
<input type="checkbox"/>	CET113	Intro-Information Processing	3
<input type="checkbox"/>	ENG403	Technical Writing	3
<input type="checkbox"/>	LAW250	Principles of Law	3
<input type="checkbox"/>	MGT295	Intro-Mgt. & Org. Behavior	3
<input type="checkbox"/>	MKT295	Intro to Marketing	3
<input type="checkbox"/>	MATH125	Applied Calculus I	3

Six credit designated "international"

met: YES NO

First Year Experience requirement

met: YES NO

Exit Interview Completed

met: YES NO

Assessment Exam Taken

met: YES NO

Major Requirements (58 credits)

<input type="checkbox"/>	CM 135	Construction Graphics/Take-Off	4
<input type="checkbox"/>	CM 155	Construction Documents	3
<input type="checkbox"/>	CM 235	Building Construction Systems	3
<input type="checkbox"/>	CM 245	Heavy/Hwy Construct. Systems	3
<input type="checkbox"/>	CM 255	Construct. Business Principles	3
<input type="checkbox"/>	CM 275	Intro to MEP	3
<input type="checkbox"/>	CM 325	Building Constr. Estimating	4
<input type="checkbox"/>	CM 335	Construction Safety	3
<input type="checkbox"/>	CM 345	Hvy/Hwy Construct. Estimating	4
<input type="checkbox"/>	CM 353	Introduction to Surveying	4
<input type="checkbox"/>	CM 355	Construction Planning	4
<input type="checkbox"/>	CM 356	Materials of Construction	4
<input type="checkbox"/>	CM 435	Construction Superintendency	3
<input type="checkbox"/>	CM 455	Constr. Project Management	4
<input type="checkbox"/>	CM 465	Construction Internship	3
<input type="checkbox"/>	ET 241	Applied Statics/Strengths	3
<input type="checkbox"/>	ETC 405	Applied Structural Systems	3

Electives (0 - 5)

<input type="checkbox"/>	Free Elective
<input type="checkbox"/>	Free Elective

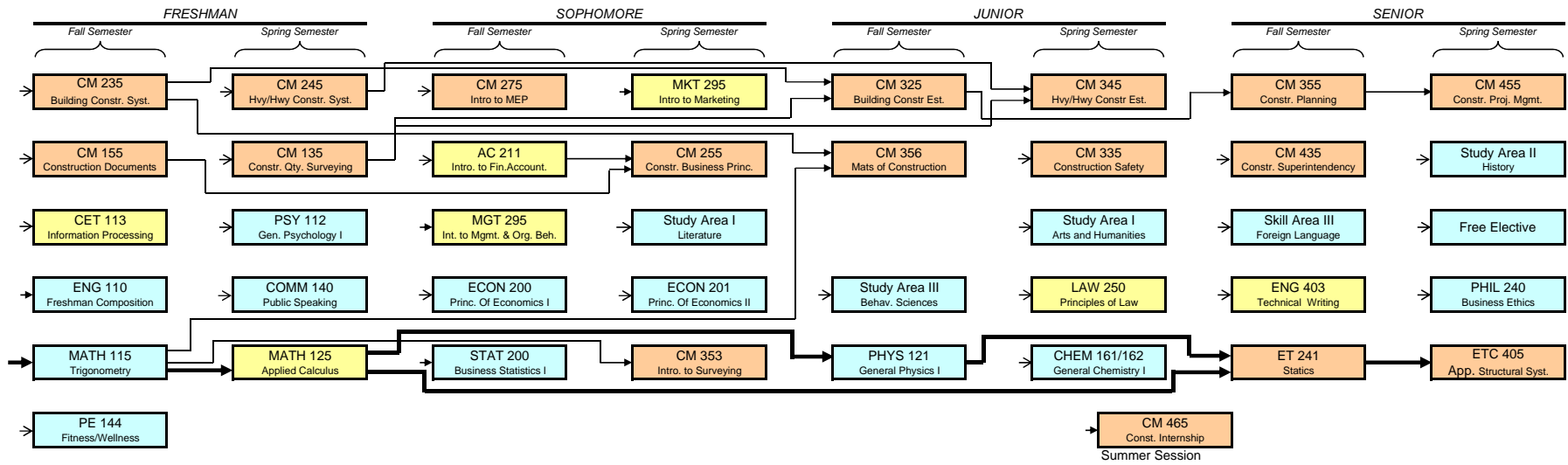
DOUBLE COUNTING RESTRICTION: Of the courses taken in the major and minor/concentration, a total of two courses may be counted to fulfill the Study Areas portion of the general education program.

RESIDENCY REQUIREMENTS: A minimum of 45 credits at CCSU with 15 credits in the Major and 9 credits in the Minor or Concentration (total 24 in Major).

HIGH HONORS: Eligibility for high honors requires the student to earn 62 credits in residence at CCSU.

PLACEMENT EXAM: A placement exam is required prior to taking any course marked with an *.

Construction Management (BS)



Legend:
 → some requirements or prerequisites
 → no prerequisites